

DYNAFLO® 6200 / 6210
Model Numbers:
62001-2 / 62101-2 / 62103-0

DEPEND ON
DAVEY



TRANSFER PUMPS

PRODUCT DESCRIPTION

Rugged economical single stage centrifugal pumps. Designed for total heads to 32 m and flows to 315 lpm.

APPLICATIONS

- Water supply
- Water transfer
- Hosing down – dairies, factory floors etc.
- Tank filling
- Sprinkler supply
- Garden reticulation

DESIGN FEATURES

PUMP

1 stage (single impeller)
 Closed vane impellers
 Noryl pump casing
 Mechanical shaft seal
 Oring casing seal

MOTOR

Davey manufactured
 2 pole, 2850rpm, 50Hz
 Class F insulation, IP56
 Permanently split capacitor design
 Double contact seal C3, high temperature greased bearings
 Inbuilt thermal overload protection with automatic reset in all 1Ø models

BENEFITS

- High TEFC - IP rating for long term protection against vermin, dust and water.
- Manufactured from quality corrosion resistant materials.
- Proven, robust pump design for long life.
- Super quiet operation.
- Metal hoop strengthened inlet and outlet ports.
- Quick and easy installation.
- Low maintenance.
- Easy to service if required.
- Corrosion resistant motor mounting feet.
- Oring sealed hand tightened priming and drain plugs for easy operation.

OPERATING LIMITS

	6200	6210
Capacities to	270 lpm	315 lpm
Max. Total Head	25.5 m	31.6 m
Max. Suction Head	7.0 m	7.0 m
Max. Water Temp.		
Continuous	50°C	50°C
10 minute peak	70°C	70°C
Min Water Temp.	1°C	1°C
Inlet size	1½" B.S.P.(F)	1½" B.S.P.(F)
Outlet size	1¼" B.S.P.(F)	1¼" B.S.P.(F)
Max. Casing Pressure	50 m	50 m

TECHNICAL SPECIFICATIONS

MATERIALS OF CONSTRUCTION

PART	MATERIAL
Impellers	Glass filled polycarbonate
Pump Casing	Glass filled noryl
Seal Ring (stationary)	Ceramic
Seal Ring (rotating)	Carbon
Shaft	Carbon steel (1Ø models) 304 SS (3Ø models)
Seal elastomer	Nitrile rubber
Pump Orings	Nitrile rubber
Motor Shell	Aluminium
Shell Finish	Baked enamel
Motor mounting feet	Xenoy® plastic
Motor through bolts	304SS with Brass nuts
Motor fan	Galvabond®

ELECTRICAL DATA

	6200	6210	62103Ø
Supply voltage	220-250V	220-250V	380-415V
Supply frequency	50Hz	50Hz	50Hz
Full load current	6.8A	9.2A	3.7A
Locked rotor current	27A	40A	24A
Output power	1.0kW	1.6kW	1.8kW
Input power	1.5kW	2.1kW	2.1kW
Insulation class	Class F	Class F	Class F
Starting	P.S.C.	P.S.C.	P.S.C.
IP Rating	IP56	IP56	IP56

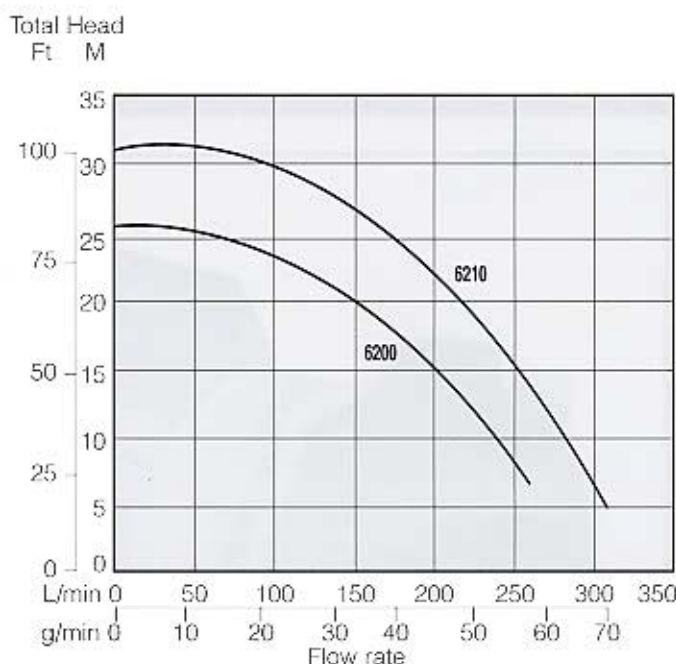
INSTALLATION & PRIMING

- Installation with suction lift require a good quality foot valve to avoid loss of prime.
- To prime, fill pump body and suction line through priming plug hole located above suction inlet and replace plug.

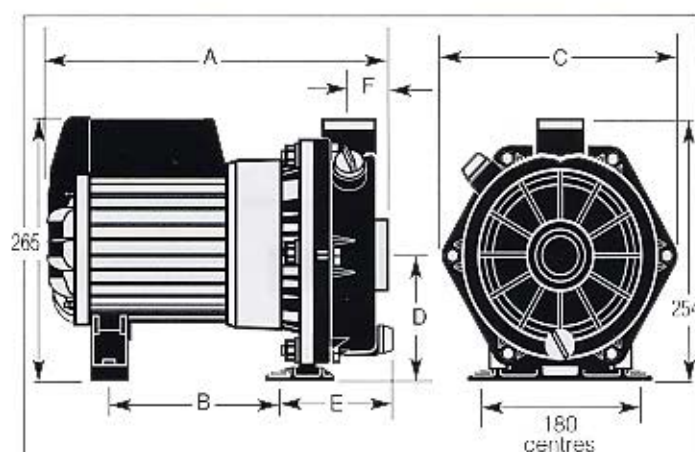
Note: This literature is not a complete guide to product usage. Further information is available from your Davey dealer, Davey Customer Service Centre and from the relevant product installation and Operating Instructions. This data sheet must be read in conjunction with the relevant product installation and Operating Instructions and all applicable statutory requirements. Product specifications may change without notice.

© Davey & Dynallo are registered trade marks of Davey Products Pty Ltd. © Davey Products Pty Ltd 2000

HYDRAULIC PERFORMANCE



DIMENSIONS



MODEL	A	B	C	D	E	F	Mounting Holes Dia. mm	Inlet B.S.P.	Outlet B.S.P.	Net Weight kg.
6200	345	175	250	124	113	40	10	1½" F	1¼" F	16.5
6210-1Ø	365	195	250	124	113	40	10	1½" F	1¼" F	19
62103-3Ø	365	195	250	124	113	40	10	1½" F	1¼" F	19

All dimensions in mm unless otherwise stated.

DEPEND ON
DAVEY

Davey Products Pty Ltd

Member of the GUD Group
ABN 18 066 327 517

Head Office and Manufacturing

2 Hargreaves Street,
Huntingdale, Australia 3166
Ph: +61 3 9262 3222
Fax: +61 3 9543 4761
Website: www.davey.com.au
E-mail: admin@davey.com.au

Customer Service Centre

Ph: 1300 367 866
Fax: 1300 369 119
E-mail: sales@davey.com.au

Interstate Offices

Sydney – Brisbane – Adelaide
Perth – Townsville

International

2 Hargreaves Street,
Huntingdale, Australia 3166
Ph: +61 3 9262 3121
Fax: +61 3 9262 3151
Alt: +61 3 9262 3222
E-mail: export@davey.com.au

Jordan

P.O. Box 6822, Amman 11118
Ph/Fax: +962 6 566 6858
E-mail: davey-jo@joinnet.com.jo

New Zealand

8 Ashfield Street,
Glenfield, Auckland 1310
Ph: +64 9 444 3622
Fax: +64 9 444 2179
Website: www.daveynz.co.nz
E-mail: sales@daveynz.co.nz

Germany

Kantstrasse 47,
04275, Leipzig
Ph: +49 341 301 0412
Fax: +49 341 301 0413
E-mail: DaveyEurope@aol.com